

Real-time Digital stills | HD over Ethernet | Annotation | Image Enhancement

Experience unmatched performance in a compact, lightweight subsea camera with the Rayfin Micro. Designed for observation class ROVs, expect reliable and exceptional image quality for precise inspections and surveys. With real-time transfer of digital stills with strobe sync and live Ethernet HD video topside, overlay, data logging, and image enhancement. The Rayfin Micro has the versatility to get the required data you need to complete your project.



**Image not to scale*



Compact & Lightweight

Weighing less than 500g in water, the small form factor allows easy integration into your system, without sacrificing the quality you come to expect from a SubC Rayfin camera.



Low-Latency & Live Image Enhancement

Real-time, live HD with data annotation into video overlays. The Rayfin's focus range is optimized to eliminate foreground debris. Plus, live video image enhancement for clear visuals when visibility is compromised.



Fast High-Resolution Imaging

Rapid Digital Imaging (RDI) feature enables live images to be immediately stored topside in your standard file structure. Capture the sharpest images thanks to a scratch-resistant sapphire lens paired with water-corrected LiquidOptics™.



Real-time Topside Media & Data

No downloading required. Access your images and video immediately. Log crucial survey data with date and time stamps. GPS data embedded in EXIF enables geo-referenced images.

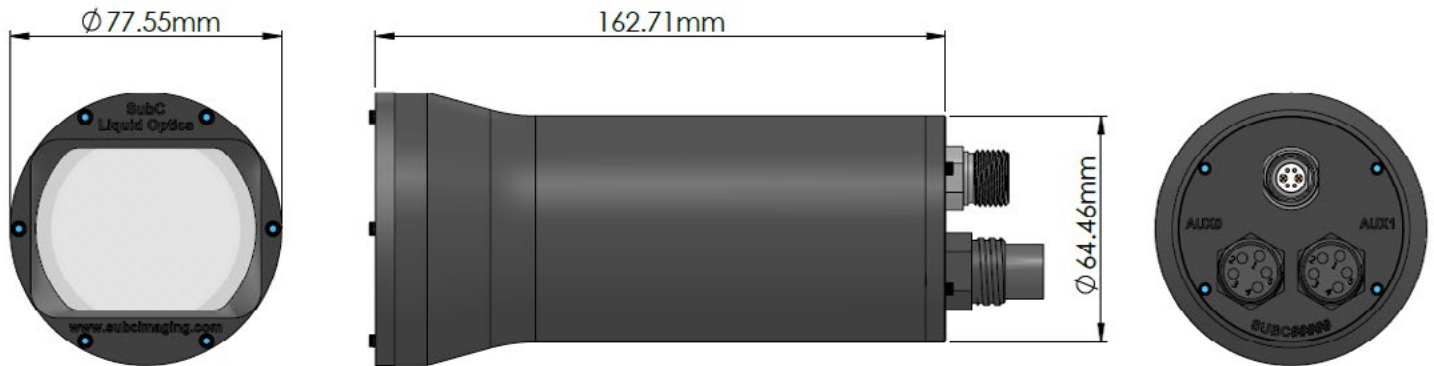
Upgrades & Enhancements

Add SubC LEDs for strobe and extra lighting, lasers for measurements, or a DVR for multi-channel capability. The Rayfin Micro is fully compatible with SubC's Blackbox for added peace-of-mind, and plugs into SubC's Real-Time Streaming to enable live monitoring and remote inspections.

Technical Specifications

Rayfin Micro 500m ROV Camera			
Sensor & Lens	Lens and Optics		Water-corrected, scratch-resistant sapphire LiquidOptics™
	Angle of View (<i>in water</i>)		81° diagonal with less than 3.4% distortion
	Image Sensor		12.3MP 4056 x 3040 pixels 12-bit CMOS
	Zoom		Digital (5x Optical zoom equivalent)
	Focus Range		15cm to infinity
Data Formatting	Ethernet Video		RTSP H.264 - 1080p 720p 4K coming soon
	Rapid Digital Imaging (RDI)	Continuous Stills	Configurable, 2Hz (2 per second) to 0.1Hz (1 every 10 seconds)
		Media Transfer	Real-time digital stills and data to topside over Ethernet. Stored on HDD, SSD or NAS
	Media Formats		Video: MPEG4, H.264, H.265 Stills: JPEG Data: CSV
	Control		Over Ethernet with provided SubC software Rayfin API is available for 3rd party integration
	Data Logging		NMEA 0183 & 2000 format @ 10Hz
Clock Sources		NTP Server, Time from Data string	
Electrical & Mechanical	Aux Ports		2 ports, capable of powering and controlling LED Strobe/Lamps, Lasers and other devices
	Voltage & Maximum Power		12 - 32.5 Vdc @ 12Watts
	Protection		Short circuit Under-over voltage ESD Over-temperature
	Temperature (<i>in water</i>)		-20°C to +30°C
	Depth Rating		500m
	Materials		Anodized 6061-T6 Aluminum, Delrin, Sapphire
	Weight (<i>in water</i>)		0.46kg
	Dimensions		Ø 77.5 165mm x 64.5mm

Specifications subject to change without notice © 2024 SubC Control Ltd. All rights reserved. Rev. March 2024.



*Available in alternative bulkhead configurations



SubC is here to help you plan your next project.

Our equipment is available for direct purchase or rental. To speak with an expert or schedule a demo please [contact us](#).

team@subcimaging.com | www.subcimaging.com | +1-709-702-0395